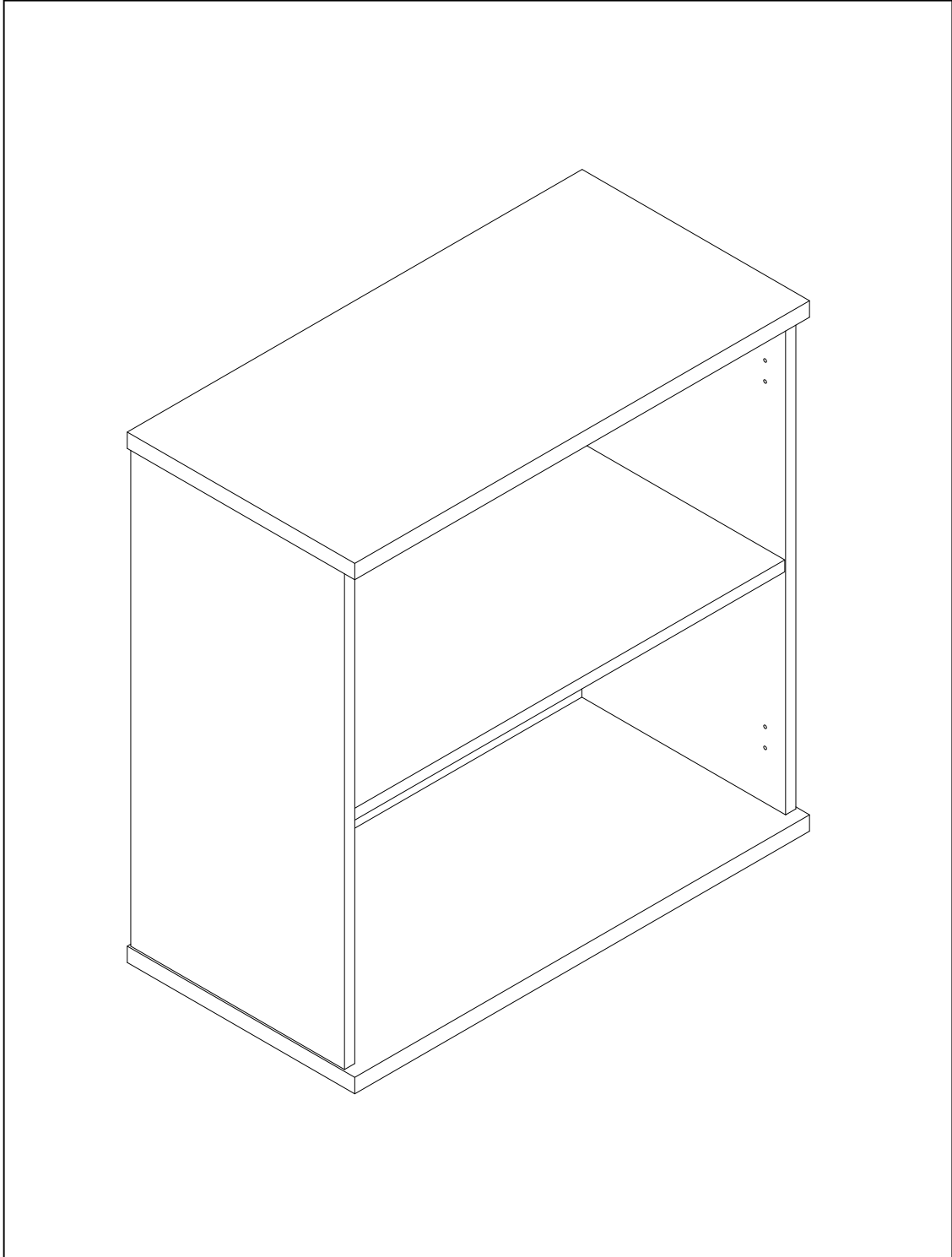


CORE0730BKC

ASSEMBLY INSTRUCTIONS - PLEASE KEEP FOR FUTURE REFERENCE



IMPORTANT - PLEASE READ THE INSTRUCTIONS FULLY BEFORE STARTING ASSEMBLY

SAFETY AND CARE ADVICE

Important - Please read these instructions fully before starting assembly

- Check you have all the components and tools listed on pages 3 and 4.
- Remove all fittings from the plastic bags and separate them into their groups.
- Keep children and animals away from the work area, small parts could choke if swallowed.
- Make sure you have enough space to layout the parts before starting.
- Do not stand or put weight on the product during assembly, this could cause damage.
- Assemble the item as close to its final position (in the same room) as possible.
- Assemble on a soft level surface to avoid damaging the unit or your floor.
- Parts of the assembly will be easier with 2 people.
- We do not recommend the use of power drill/drivers for inserting screws, as this could damage the unit. Only use the allen key provided, or a hand screwdriver.
- Dispose of all packaging carefully and responsibly.



Care and maintenance

- Only clean using a damp cloth and mild detergent, do not use bleach or abrasive cleaners.
- From time to time check that there are no loose screws on this unit.
- Do not stand on the unit.
- Do not use this unit as step ladder.
- This product should not be discarded with household waste. Take to your local authority waste disposal centre.

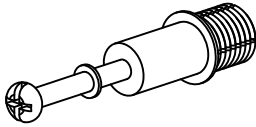
Handy Hints

- Assemble all parts and bolts loosely during assembly, only once the product is complete should you fully tighten the bolts.
- Regularly check and ensure that all bolts and fittings are tightened properly.

COMPONENTS - FIXINGS

PLEASE CHECK YOU HAVE ALL THE PARTS LISTED BELOW

A



Mini Fix Pin x 4

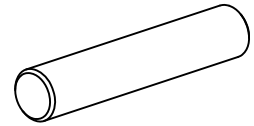
B



The arrow on the cam must point to nearest edge of the wood panel, then twist to lock.

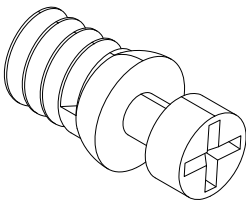
Cam x 4

C



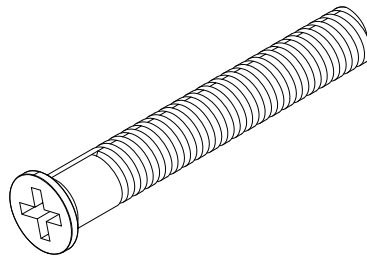
Dowel x 8

D



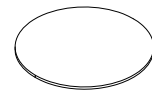
Shelf Screws x 4

E



Bolts x 4

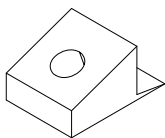
F



To cover the Cams

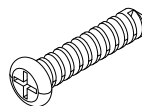
Cam Stickers x 4

G



Back Panel Clips x 6

H

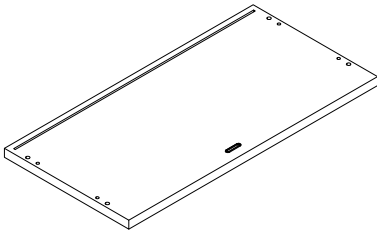


Back Panel Clip Screws x 6

COMPONENTS - FIXINGS

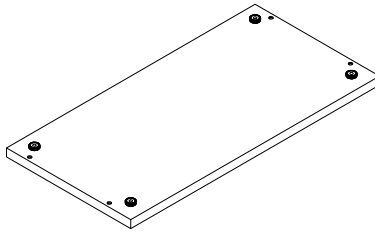
PLEASE CHECK YOU HAVE ALL THE PARTS LISTED BELOW

1



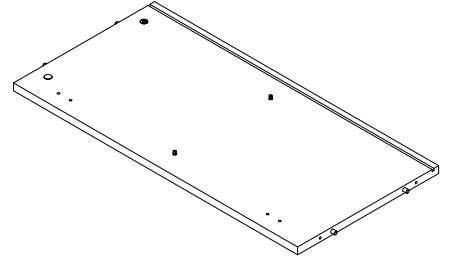
Top x 1

2



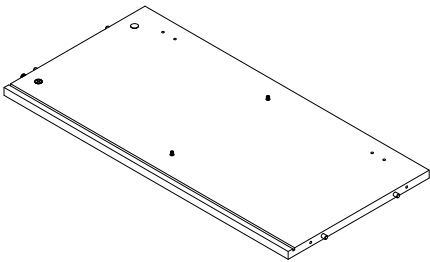
Bottom x 1

3



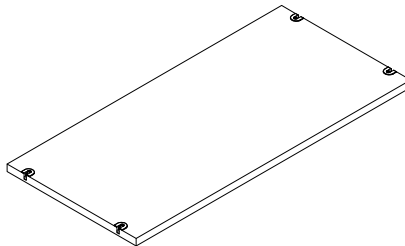
Left Side x 1

4



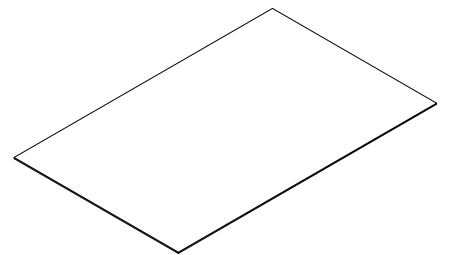
Right Side x 1

5



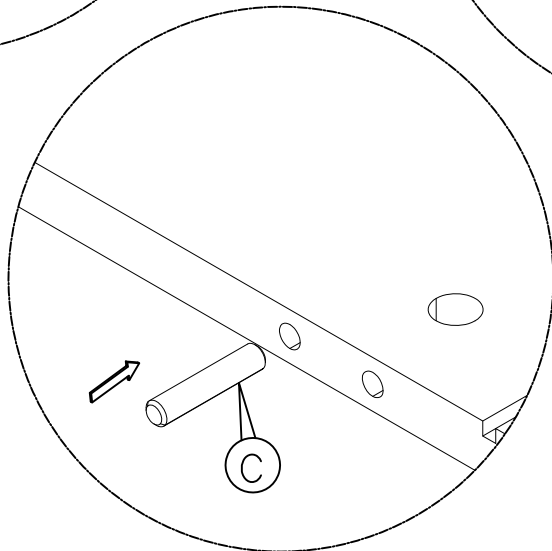
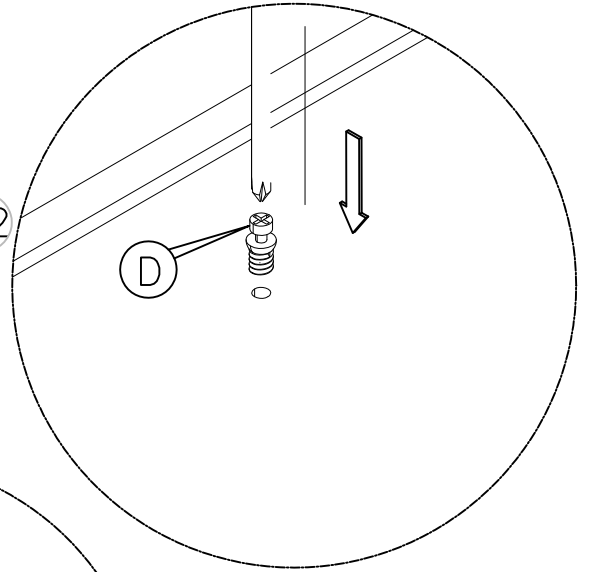
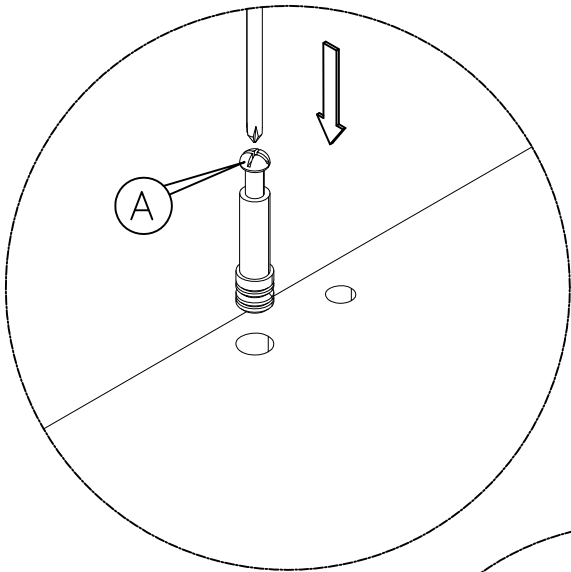
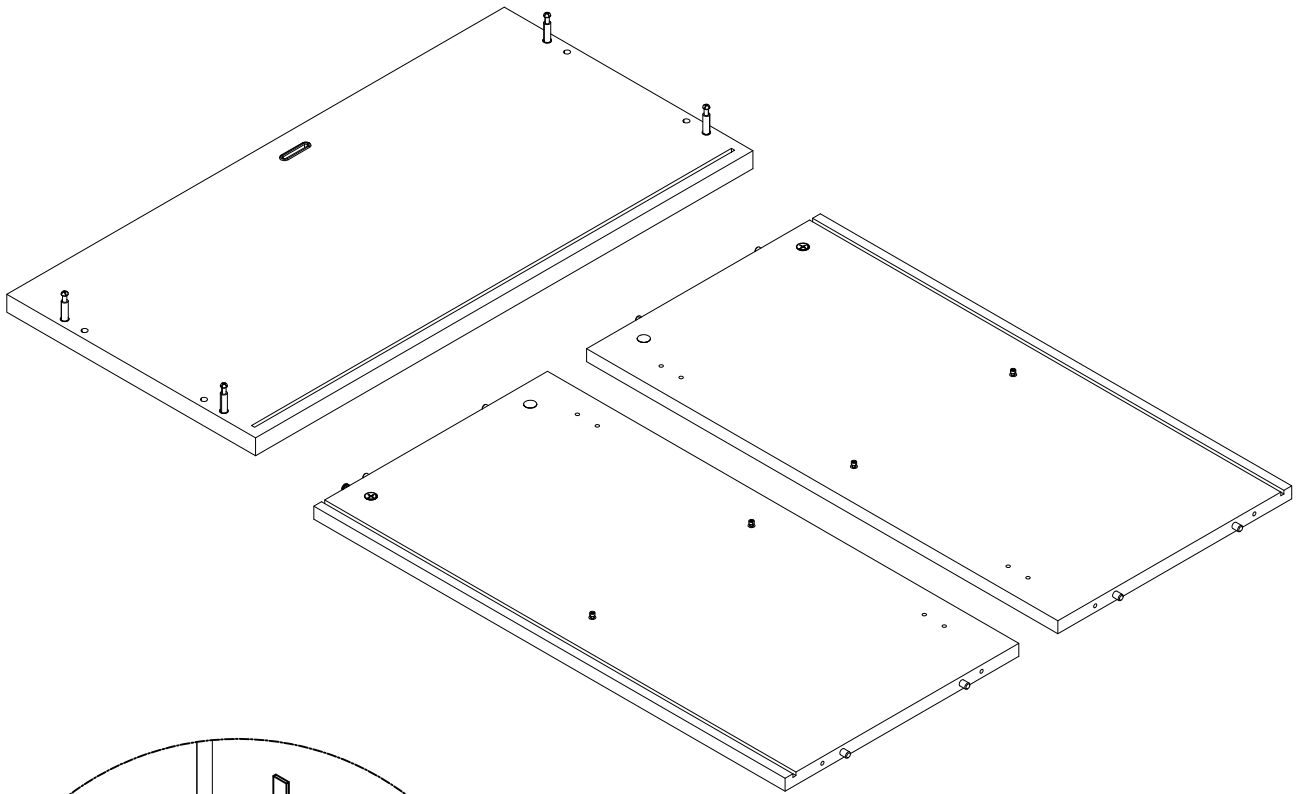
Shelf x 1

6

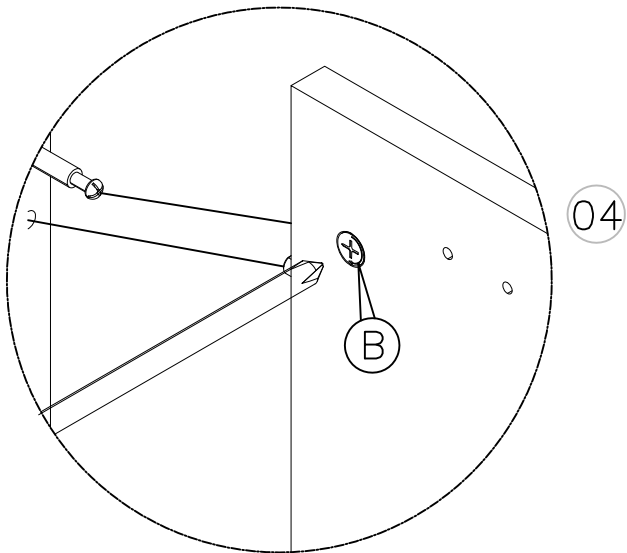
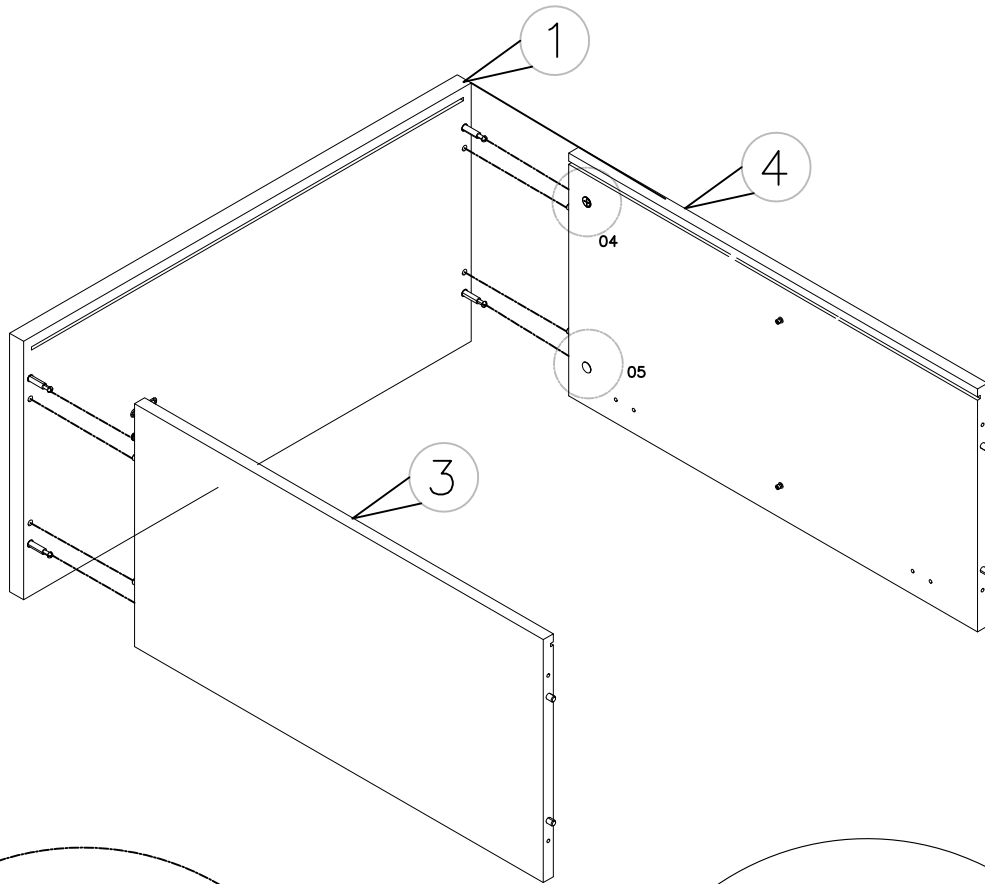


Back Panel x 1

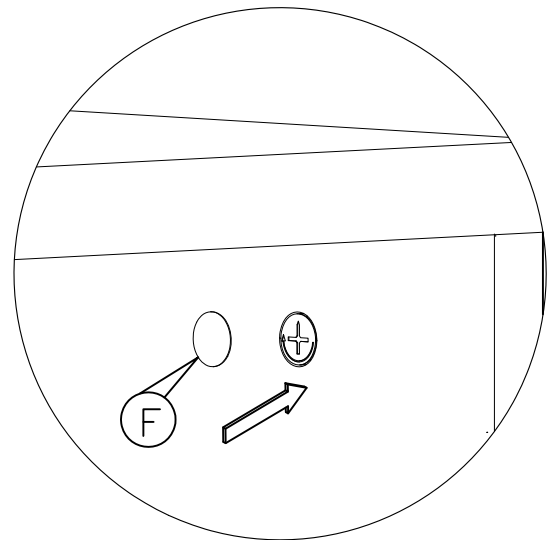
STEP 1



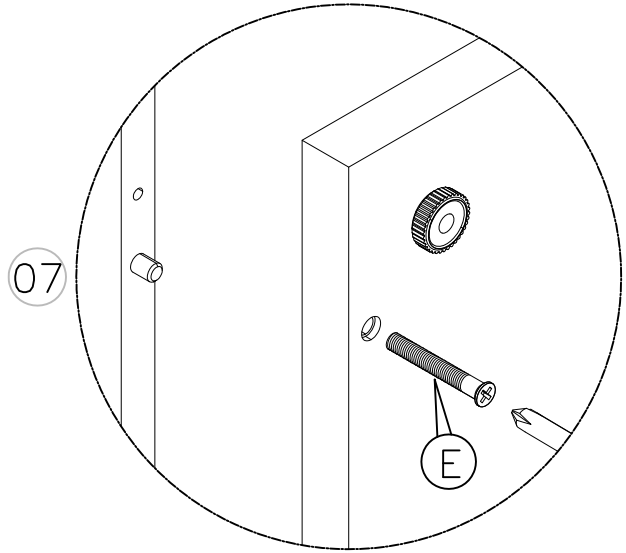
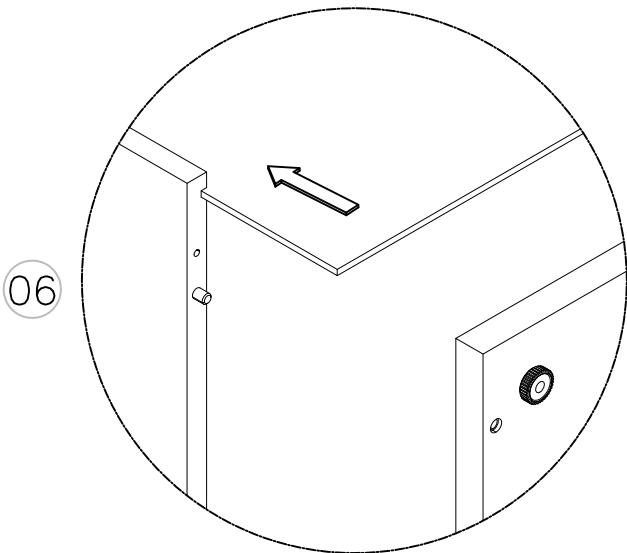
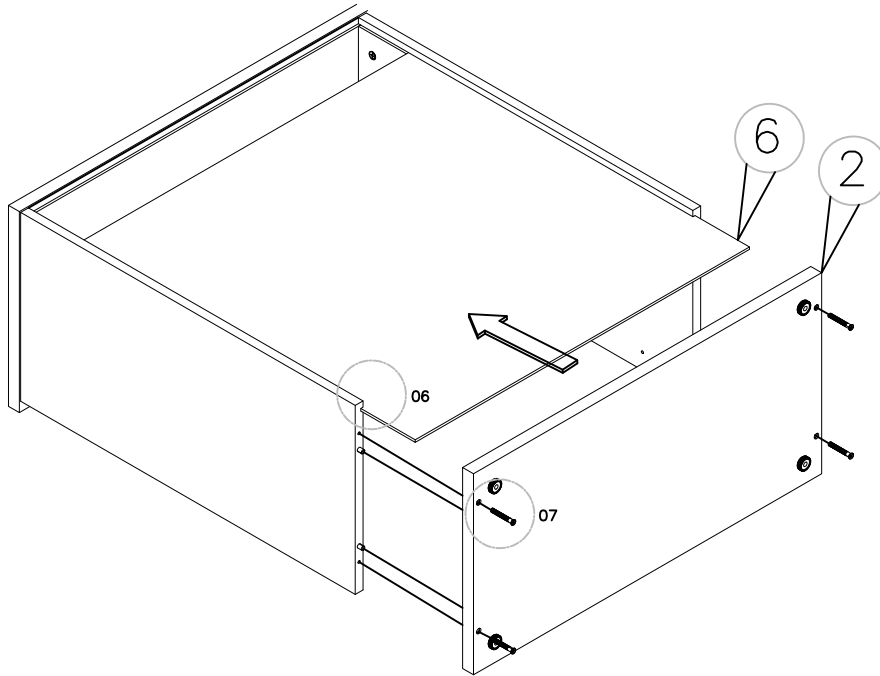
STEP 2



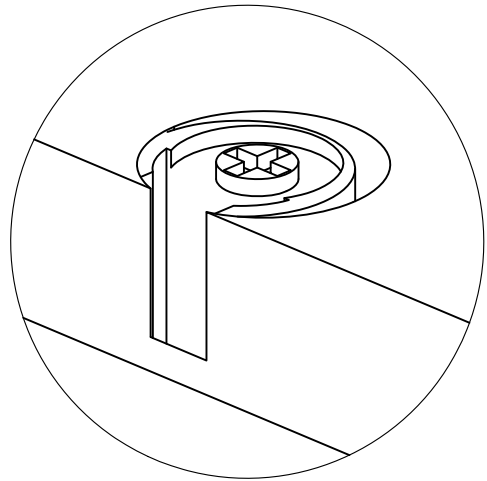
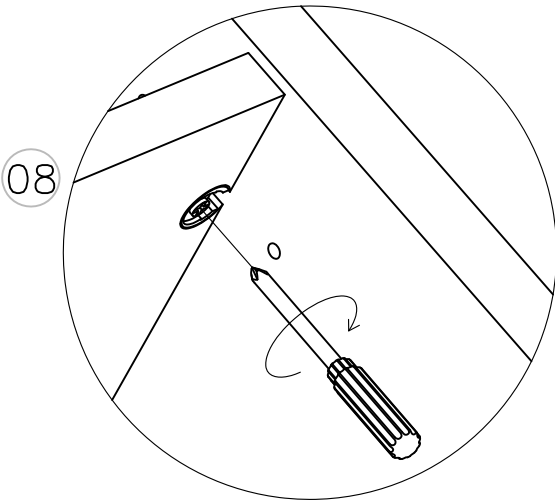
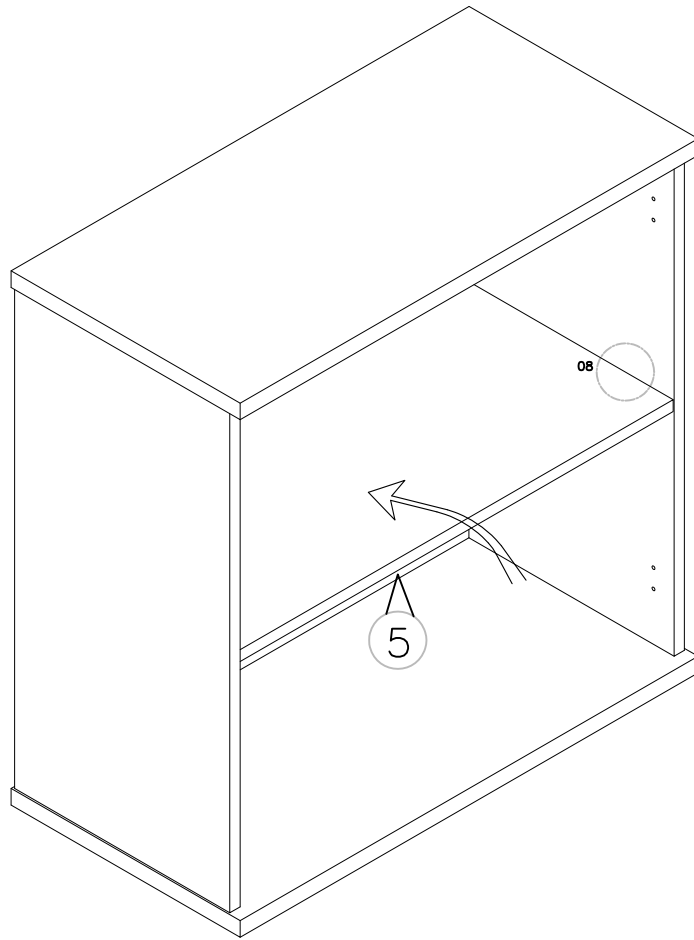
05



STEP 3



STEP 4



STEP 5

