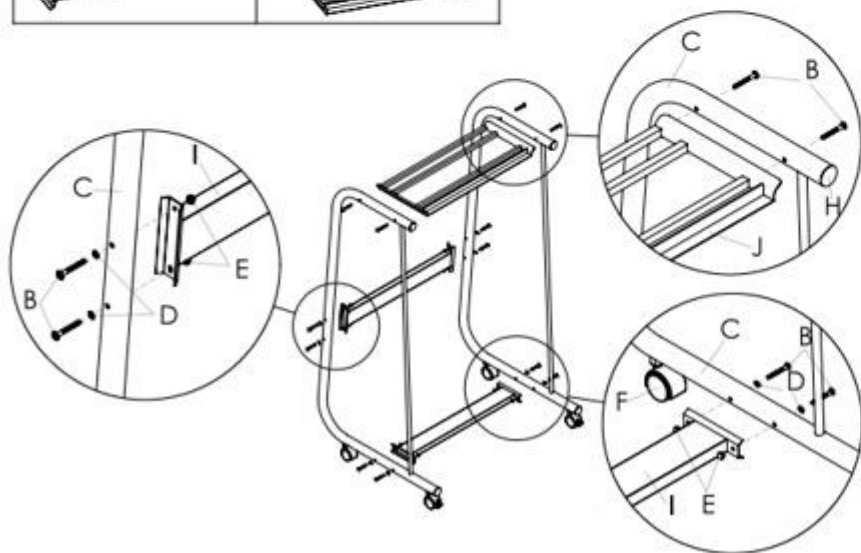


Q-CONNECT® PLAN HANGERS STAND (FRONT LOADING)

A x 1	Allen Wrench	B x 12	Screw M6 x 45mm	C x 2	Side Frame
D x 8	Spring Washer	E x 8	Cap Nut		
F x 2	Castor (prefix)	G x 2	Castor with Stopper (prefix)		
I x 2	Cross Bar	J x 1	Frame Hanger		

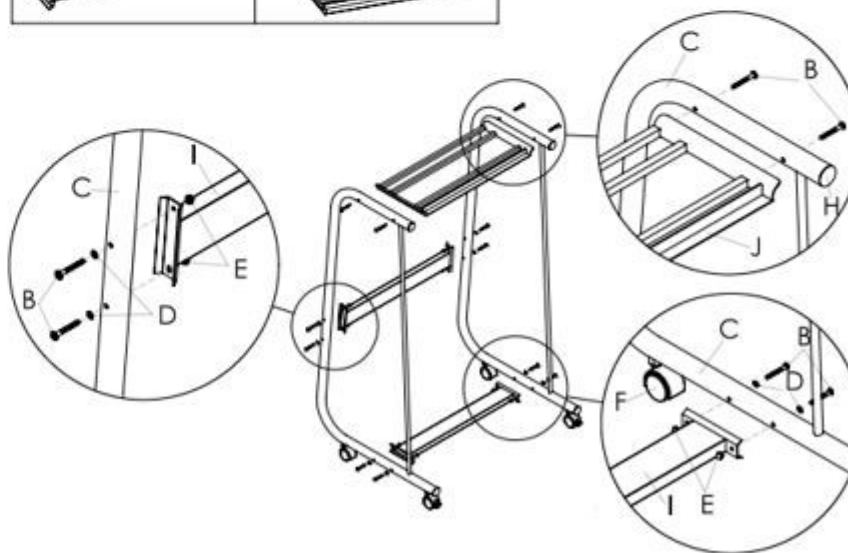


* Please do not tighten all screws, until fully assembled.



PLAN HANGERS STAND (FRONT LOADING)

A x 1	Allen Wrench	B x 12	Screw M6 x 45mm	C x 2	Side Frame
D x 8	Spring Washer	E x 8	Cap Nut		
F x 2	Castor (prefix)	G x 2	Castor with Stopper (prefix)		
I x 2	Cross Bar	J x 1	Frame Hanger		



* Please do not tighten all screws, until fully assembled.